

SUBJECT: Operation Procedures for the transmission of fax messages  
while making memory copies.

DATE: Nov. 15, '96  
PAGE: 1 of 1

PREPARED BY: T. Itai  
CHECKED BY: S. Fujii

for



FROM: 2nd. Field Information Dept. QAC

CLASSIFICATION:

Action Required

Troubleshooting

Retrofit Information

Revision of service manual

Information only

Other

MODEL:

AD-1

**Instruct the customers to take the following steps to transmit facsimile mail while making memory copies.**

**Problem :**

Multiple copying with the memory copy operation will be suspended under the following sequence when transmitting fax messages while copying.

1. Place the facsimile original in the document feeder.
2. Switch the mode to facsimile transmission.

**Reason :**


The AD-1 recognizes the original insertion into the feeder as a copying operation, so it then suspends the current memory copying.

**Measure :**

Instruct the customers to switch the mode to facsimile first, then place the original in the document feeder.

SUBJECT: ROM History (AD1-FAX option)

DATE: Dec. 15, '96  
PAGE: 1 of 2

PREPARED BY: K. Ugaeri  
CHECKED BY: S. Fujii 

FROM: 2nd Field Information Dept. QAC

**CLASSIFICATION:**

Action Required

Troubleshooting

Retrofit Information

Revision of service manual

Information only

Other

**MODEL:**

AD1

We inform you of the firmware history for the AD1-Fax option.  
(For the USA Model)

A1945581	File No. (A194uxx)	Version	Total C.SUM	SUM(0H)	SUM(0L)	SUM(1H)	SUM(1L)	Production
C	03	1.23	DD95	CB2A	27F0	BD19	72A5	1st Mass Prod.
D	04	1.29	E6D7	83C2	E9BD	47BC	7F1A	November Prod. 96
E	05	1.38	EAAE	A99A	5C74	919A	5A3A	December Prod. 96

(For the European/Asian Model)

A1945582	File No. (A194exx)	Version	Total C.SUM	SUM(0H)	SUM(0L)	SUM(1H)	SUM(1L)	Production
B	02	1.23	3A44	0A20	FC8A	691F	FEBA	1st Mass Prod.
C	03	1.29	3270	D0F9	39CD	F1E6	19A3	November Prod. 96
D	04	1.38	3745	FA2F	B98C	C966	E8B9	December Prod. 96

(For European 2nd Language)

A1945585	File No.	Version	Total C.SUM	SUM(0H)	SUM(0L)	SUM(1H)	SUM(1L)	Production
A		1.38		E09E	340F	6301	B2A2	December Prod. 96

Symptom corrected	US	EU/ ASIA	EU2
When the handset is picked up at ringing signal detection, the reception is disconnected and the reception job rarely remains internally. In this case, the display is not going to "Handset Mode" even if the handset is picked up, or "line is busy" is displayed for direct tx from the ADF.	E	D	A
In manual tx mode with the handset, the operator presses the Start key and hangs up the handset at the same time. Then the transmission job remains internally. In this case, both transmission and reception are not available, or "Handset mode" is always displayed. This problem can be solved by picking up and hanging up the handset again.	E	D	A
The chain dial function is not used by the on-hook or handset mode.	E	D	A
When the machine stores a letter-size original using image rotation, the compression does not succeed. Then the job is reset if the original is complicated, and it is scanned in photo mode.	E	-	-

SUBJECT: ROM History (AD1-FAX option)

DATE: Dec. 15, '96  
PAGE: 2 of 2

After entering the personal code and going to the fax mode in the personal code transmission mode, if a programmed key (Quick dial) is used, the personal code is not printed on the JOURNAL report.

E D A

New Bit Switches are added for some reports.

System SW 1F-Bit 1: When a memory overflow or storing jam occurs, the Memory Storage Report and Memory Transmission Report are not printed out.

0: OFF(Default)-Print 1: ON-No print

User SW 03-Bit 2 : Memory Storage Report is printed automatically.

0: OFF(Default) 1: ON-Print

System SW 1E-Bit 1 : The method of erasing files when the memory is full

0: Only a page is erased 1: The file is erased.

\*The combination of the above bit switches;

User SW 03:	OFF	ON	OFF	ON
System SW 1F:	OFF	OFF	ON	ON
Memory Storage OK	X	O	X	O
Memory Storage NG	O	O	X	X
Continuing after the memory is full (by System SW 1E-Bit1)	O	O	X	X

O=Memory Storage Report is printed out.

Only for Belgium approval: When the communication is finished while the handset is still picked up, the buzzer must sound till the handset is hung up.

G3 SW 0F-Bit 1 : 0:Buzzer is ON 1:Buzzer is OFF

\*The default of this bit is 0 for Belgium.

- D A

If there is a conflict between G3 Reception (analog port) and iG3 Transmission (digital port), the Communication LED turns on and is locked.

D C -

When the operator picks up the handset and dials using a quick or a speed dial then hangs up the handset during dialing, the display always shows "Handset Mode". ①

or

When the handset is hung up then picked up again within 1 second after pressing the Start key in non-memory Tx mode, the display always shows "Handset Mode". ①

D C -

If the operator makes the transmit operation or presses the Stop key, the display locks.

\*If the handset is hung up then picked up again under condition ①, the display is not locked.

When a ringing signal comes in when going into the night mode, the machine goes into the night mode and goes back to Ready. Then the power failure report is printed out. (The file no. and communication mode on the JOURNAL are wrong.)

D C -

New User Switch for Forwarding: User Switch 0E (SW14)

bit5 : 0 - Off (Default)

1 - On \*All received files are forwarded to the transfer address.

\*On the user parameter list, the following description is not printed. "Forwarding all received files ON/OFF"

D C -

In the date input mode, the display shows "24hr format" instead of "12hr format".

D - -

The download and upload function from FCU board to FCU board with the feature card do not work.

D C -

French version only: The TEL number of quick and speed dials cannot be corrected.

- C -

German version only: Wording correction (5 wordings)

- C -

Spanish version only: A default setting was changed. \*G3 Switch 0F bit 0 0 → 1

- C -

## RTB Correction

Reissue date: **15-May-97**

The items in bold italic have been corrected or added.

Model: AD1		Date: 15-Dec-96	No: <b>14A</b>
Subject: ROM History (AD1-FAX option)		Prepared by: K.Ugaeri	
From: QAC 2nd Field Information Dept.			
Classification:	<input type="checkbox"/> Troubleshooting	<input type="checkbox"/> Part information	<input type="checkbox"/> Action required
	<input type="checkbox"/> Mechanical	<input type="checkbox"/> Electrical	<input type="checkbox"/> Service manual revision
	<input type="checkbox"/> Paper path	<input type="checkbox"/> Transmit/receive	<input checked="" type="checkbox"/> Retrofit information
	<input type="checkbox"/> Other (      )		

We inform you of the firmware history for the AD1-Fax option.

For USA Models

A1945581	File No. (A194uxx)	Version	Total C.SUM	SUM (OH)	SUM (OL)	SUM (1H)	SUM (1L)	Production
C	03	1.23	DD95	CB2A	27F0	BD19	72A5	1st Mass Prod.
D	04	1.29	E6D7	83C2	E9BD	47BC	7F1A	November Prod.'96
E	05	1.38	EAAE	A99A	5C74	919A	5A3A	December Prod.'96
<b><i>F</i></b>	<b><i>06</i></b>	<b><i>1.48</i></b>	<b><i>5029</i></b>	<b><i>5D2A</i></b>	<b><i>E457</i></b>	<b><i>1FF3</i></b>	<b><i>4ED2</i></b>	<b><i>March Prod.'97</i></b>
<b><i>G</i></b>	<b><i>07</i></b>	<b><i>1.58</i></b>	<b><i>2AEF</i></b>	<b><i>27EO</i></b>	<b><i>FD88</i></b>	<b><i>286A</i></b>	<b><i>E367</i></b>	<b><i>May Prod.'97</i></b>

For European/Asian Models

A1945582	File No. (A194exx)	Version	Total C.SUM	SUM (OH)	SUM (OL)	SUM (1H)	SUM (1L)	Production
B	02	1.23	3A44	0A20	FC8A	691F	FEBA	1st Mass Prod.
C	03	1.29	3270	D0F9	39CD	F1E6	19A3	November Prod.'96
D	04	1.38	3745	FA2F	B98C	C966	E8B9	December Prod.'96
<b><i>E</i></b>	<b><i>05</i></b>	<b><i>1.48</i></b>	<b><i>3745</i></b>	<b><i>FA2F</i></b>	<b><i>B98C</i></b>	<b><i>C966</i></b>	<b><i>E8B9</i></b>	<b><i>March Prod.'97</i></b>
<b><i>F</i></b>	<b><i>06</i></b>	<b><i>1.58</i></b>	<b><i>8D00</i></b>	<b><i>FFBE</i></b>	<b><i>C502</i></b>	<b><i>1BB4</i></b>	<b><i>55FE</i></b>	<b><i>May Prod.'97</i></b>

Model: AD1	Date: 15-Dec-96	No: 14A
------------	-----------------	---------

For European 2nd Language Models

A1945585	File No.	Version	Total C.SUM	SUM (OH)	SUM (OL)	SUM (1H)	SUM (1L)	Production
<b>A</b>	<b>01</b>	<b>1.38</b>	<b>F398</b>	<b>E170</b>	<b>B392</b>	<b>56E5</b>	<b>EB06</b>	<b>December Prod.'97</b>
<b>B</b>	<b>02</b>	<b>1.48</b>	<b>E08A</b>	<b>B674</b>	<b>46C1</b>	<b>DDFC</b>	<b>29C9</b>	<b>March Prod.'97</b>
<b>C</b>	<b>03</b>	<b>1.58</b>	<b>5494</b>	<b>87A5</b>	<b>28B5</b>	<b>B595</b>	<b>F1DF</b>	<b>May Prod.'97</b>

Symptom corrected	US	EU/ ASIA	EU 2
<i>The Two-in-one Function from HLT to LT size paper is not working.</i>	<b>G</b>	<b>F</b>	<b>C</b>
<b>New System Switch</b> <i>When closed network is enabled and the ID is not programmed, all reception is disabled (this is a specification). A System Switch has been added to modify this. Switch 1E Bit 4. When closed network is turned on and the ID is not set: ( 0: Closed network is not available. 1: Only transmission is available.</i>	<b>G</b>	<b>F</b>	<b>C</b>
<b>New System Switch</b> <i>The display of the remote terminal ID at A/redial: Switch 1E Bit 5 ( 0: RTI/CSI is displayed. 1: The input Fax Number is displayed.</i>	<b>G</b>	<b>F</b>	<b>C</b>
<i>LCT and duplex tray are supported.</i>	<b>G</b>	<b>F</b>	<b>C</b>
<i>New HDD is supported.</i>	<b>G</b>	<b>F</b>	<b>C</b>
<i>NEST card option is supported.</i>	<b>G</b>	<b>F</b>	<b>C</b>
<i>In the G3or G4 receiving mode, when the memory is full at the first block of any page, a part of the previous page is missing.</i>	<b>F</b>	<b>E</b>	<b>B</b>
<b>Receiving error in G4 mode</b> <i>( When it is waiting for RSSP (or RSSN) after sending CONN, the machine displays "communication error" if DISC comes. )</i>	<b>F</b>	<b>E</b>	<b>B</b>
<i>The periodical auto service call function does not work.</i>	<b>F</b>	<b>E</b>	<b>B</b>
<b>For Canada only</b> <i>The number of redials in Canada is changed to meet the CS-03 standard. System switch OF The setting for Canada (10h) is added. If the above switch is set to 10h, the number of redials (Communication switch 10) is set to 02h.</i>		<b>E</b>	<b>B</b>

Model: AD1

Date : 15-Dec-96

No: 14A

Symptom corrected	US	EU/ ASIA	EU2
<b>For the Netherlands only</b> <b>Marketing Requirements</b> 1. <b>Dialing method Default : PD to DTMF (User switch 1A/bit 0.1 are 0.1)</b> 2. <b>Default Transmission mode: Memory Transmission changed to Immediate Transmission (User switch 00/bit 6 is 1)</b> 3. <b>International Access code : 00 change to FF</b>		<b>E</b>	<b>B</b>
<b>For Austria only</b> <b>Marketing Requirements</b> 1. <b>Dialing method Default setting: PD to DTMF (User switch 1A/bit 0.1 are 0.1)</b> 2. <b>Default setting of Transmission mode : Memory Transmission Immediate Transmission (User switch 00 bit 6 is 1)</b> 3. <b>Number of redials : 5 changed to 10 (Communication switch 10/bit 0-4)</b> 4. <b>Redial interval in Memory Transmission : 5min. changed to 1min. (Communication switch 12/bit 0-7)</b>		<b>E</b>	<b>B</b>
<b>For New Zealand only</b> <b>The ringing detection time is changed.</b> <b>NCU parameters 07 &amp; 0.8 : Changed from 010 to 015</b>		<b>E</b>	<b>B</b>
<b>For Australia only</b> <b>Tx time of 2100Hz is changed from 2.7s to 3.5s.</b>		<b>E</b>	<b>B</b>
When the handset is picked up during ringing signal detection, the reception is disconnected but the reception job occasionally remains in the machine. In this case, the display does not go to "Handset Mode" even if the handset is picked up, or "line is busy" is displayed when direct tx is made from the ADF.	E	D	A
In manual tx mode with the handset, the operator presses the Start key and hangs up the handset at the same time. Then the transmission job remains in the machine. In this case, transmission and reception are both not available or "Handset mode" is always displayed. This problem can be solved by picking up the handset again.	E	D	A
The chain dial function cannot be used in on-hook or handset mode.	E	D	A
When the machine stores a letter-size original using image rotation, the compression does not succeed, then the job is reset if the original is a complicated image scanned in photo mode.	E	—	—

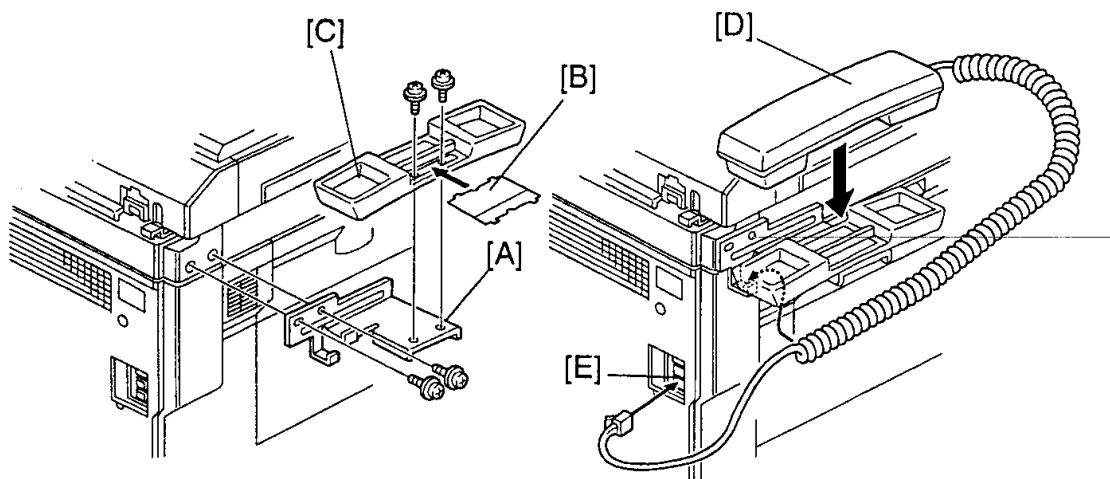
Model: AD1		Date: 30-Apr-97	No: 30
Subject: Bracket for the handset option		Prepared by: K.Ugaeri	
From: QAC 2nd Field Information Dept.		Checked by: S. Fujii	
Classification:	<input type="checkbox"/> Troubleshooting	<input checked="" type="checkbox"/> Part information	<input type="checkbox"/> Action required
	<input type="checkbox"/> Mechanical	<input type="checkbox"/> Electrical	<input type="checkbox"/> Service manual revision
	<input type="checkbox"/> Paper path	<input type="checkbox"/> Transmit/receive	<input type="checkbox"/> Retrofit information
	<input type="checkbox"/> Other (      )		

In some countries, the optional handset is available for the Aficio 200. To install the optional handset, use the bracket which is included in the Fax Unit Option, Type 250. Also, correct the installation procedure in the Service Manual on page 3-12 as follows.

## 4.HANDSET

### 4.INSTALLATION PROCEDURE

NOTE: The optional handset may not be available in some countries.



1. Install the bracket [A] ( 2 screws ), as shown.

\* The bracket [A] in the carton box of the Fax Unit Option Type 250 must be used.

2. Remove the label [B] from the handset cradle [C]. Install the cradle on the bracket [A] ( 2 screws ), then replace the label [B].

3. Install the handset [D] as shown. Connect the handset cord to the " TEL " jack [E] on the machine.

## RTB Correction

Reissue date: **5-Sep-97**

The items in bold italic have been corrected or added.

Model: AD1		Date: 15-Dec-96	No: <b>14B</b>
Subject: ROM History (AD1-FAX option)		Prepared by: K.Ugaeri	
From: QAC 2nd Field Information Dept.			
Classification:	<input type="checkbox"/> Troubleshooting	<input type="checkbox"/> Part information	<input type="checkbox"/> Action required
	<input type="checkbox"/> Mechanical	<input type="checkbox"/> Electrical	<input type="checkbox"/> Service manual revision
	<input type="checkbox"/> Paper path	<input type="checkbox"/> Transmit/receive	<input checked="" type="checkbox"/> Retrofit information
	<input type="checkbox"/> Other ( )		

We inform you of the firmware history for AD1-Fax option.

(For USA Models)

A1945581	File No. (A194uxx)	Version	Total C.SUM	SUM (OH)	SUM (OL)	SUM (1H)	SUM (1L)	Production
C	03	1.23	DD95	CB2A	27F0	BD19	72A5	1st Mass Prod.
D	04	1.29	E6D7	83C2	E9BD	47BC	7F1A	November Prod.'96
E	05	1.38	EAAE	A99A	5C74	919A	5A3A	December Prod.'96
F	06	1.48	5029	5D2A	E457	1FF3	4ED2	March Prod.'97
G	07	1.58	2AEF	27EO	FD88	286A	E367	May Prod.'97
<b>H</b>	<b>08</b>	<b>1.77</b>	<b>43B0</b>	<b>3357</b>	<b>84BC</b>	<b>EAA2</b>	<b>C5F4</b>	<b>August Prod.'97</b>

(For European/Asian Models)

A1945582	File No. (A194exx)	Version	Total C.SUM	SUM (OH)	SUM (OL)	SUM (1H)	SUM (1L)	Production
B	02	1.23	3A44	0A20	FC8A	691F	FEBA	1st Mass Prod.
C	03	1.29	3270	D0F9	39CD	F1E6	19A3	November Prod.'96
D	04	1.38	3745	FA2F	B98C	C966	E8B9	December Prod.'96
E	05	1.48	3745	FA2F	B98C	C966	E8B9	March Prod.'97
F	06	1.58	8D00	FFBE	C502	1BB4	55FE	May Prod.'97
<b>(G)</b>	<b>07t</b>	<b>1.78</b>	<b>C19B</b>	<b>E4F1</b>	<b>FF0B</b>	<b>9B9F</b>	<b>3290</b>	<b>Temporary</b>
<b>G</b>	<b>07</b>	<b>1.79</b>	<b>C2A4</b>	<b>E4F2</b>	<b>FF14</b>	<b>9B9F</b>	<b>3290</b>	<b>August Prod.'97</b>



Model: AD1	Date: 15-Dec-96	No: 14B
------------	-----------------	---------

(For European 2nd Language)

A1945585	File No.	Version	Total C.SUM	SUM (OH)	SUM (OL)	SUM (1H)	SUM (1L)	Production
A	01	1.38	F398	E170	B392	56E5	EB06	December Prod.'97
B	02	1.48	E08A	B674	46C1	DDFC	29C9	March Prod.'97
C	03	1.58	5494	87A5	28B5	B595	F1DF	May Prod.'97
<b>(D)</b>	<b>04t</b>	<b>1.78</b>	<b>77E2</b>	<b>2CD4</b>	<b>372E</b>	<b>23DD</b>	<b>8FB4</b>	<b>Temporary</b>
<b>D</b>	<b>04</b>	<b>1.79</b>	<b>3D4C</b>	<b>2F88</b>	<b>6AFD</b>	<b>121C</b>	<b>2E4F</b>	<b>August Prod.'97</b>

(For China)

A194	File No. A194cxx	Version	Total C.SUM	SUM (OH)	SUM (OL)	SUM (1H)	SUM (1L)	Production
<b>B</b>	<b>02</b>	<b>1.77</b>	<b>AB3E</b>	<b>C008</b>	<b>DDA3</b>	<b>7D7E</b>	<b>479B</b>	<b>August Prod.'97</b>

(For Taiwan)

A194	File No. A194txx	Version	Total C.SUM	SUM (OH)	SUM (OL)	SUM (1H)	SUM (1L)	Production
<b>C</b>	<b>03</b>	<b>1.77</b>	<b>D672</b>	<b>7BEE</b>	<b>6E00</b>	<b>46A5</b>	<b>D572</b>	<b>August Prod.'97</b>

Model: AD1	Date: 15-Dec-96	No: 14B
------------	-----------------	---------

Symptom corrected	US	EU/ ASIA	EU2	China	Taiwan
<b>For PTT Approval</b> 1. Dial pulse signal from the other terminal was detected as a ringing signal. (France) 2. Busy tone sometimes cannot be detected. This is solved by using two frequencies , 400 Hz and 900 Hz. (New Zealand) 3. Interval between the dial pulses is out of specification. *Specification : 1000 ms. (New Zealand)	—	<b>G</b>	<b>D</b>	<b>B</b>	<b>C</b>
Received files cannot be printed out from the HDD. When a small amount of data (less than 2K Bytes) is received and the communication is finished before writing to the HDD is finished, the data is not completely transferred to the HDD.	<b>H</b>	<b>G</b>	<b>D</b>	<b>B</b>	<b>C</b>
In ISDN G3 mode, when a call comes from a PSTN G3 machine, the fax number stored in the machine's own Quick Dial 01 is displayed for a few seconds instead of the called terminal identification.	<b>H</b>	<b>G</b>	<b>D</b>	<b>B</b>	<b>C</b>
<b>Only for the Netherlands</b> Dial Tone cannot be detected when the dial tone frequency lower limit ( PSTN: Address 480406 ~ 7, PABX: Address 480419 ~ A ) is less than 255 Hz. This problem happens with ver 1.29 or higher.	<b>H</b>	<b>(G)</b>	<b>(D)</b>	<b>B</b>	<b>C</b>

Model: AD1-E		Date: 15-Oct-97	No: 41
Subject: ROM History (AD1-E-FAX Option)		Prepared by: K.Ugaeri	
From: QAC Field Information Dept.			
Classification:	<input type="checkbox"/> Troubleshooting	<input type="checkbox"/> Part information	<input type="checkbox"/> Action required
	<input type="checkbox"/> Mechanical	<input type="checkbox"/> Electrical	<input type="checkbox"/> Service manual revision
	<input type="checkbox"/> Paper path	<input type="checkbox"/> Transmit/receive	<input checked="" type="checkbox"/> Retrofit information
	<input type="checkbox"/> Other ( )		

We inform you of the firmware history for AD1-E Fax option.

For the USA Model

A2255581	File No. (A225uxx)	Version	Total C.SUM	SUM (OH)	SUM (OL)	SUM (1H)	SUM (1L)	Production
A	01	1.23	8BFA	1E6A	0E7F	8BEA	297B	1st Mass Prod.
B	02	1.42	5263	428B	6E43	AC89	D020	August Prod.'97

For the European/Asian Mode

A2255582	File No. (A225uxx)	Version	Total C.SUM	SUM (OH)	SUM (OL)	SUM (1H)	SUM (1L)	Production
A	101	1.23	69B7	4A50	03D5	A175	A0E2	1st Mass Prod.
B	102	1.44	B8D4	1860	628D	C933	C347	August Prod.'97

For European 2nd Language

A2255585	File No. (A225exx)	Version	Total C.SUM	SUM (OH)	SUM (OL)	SUM (1H)	SUM (1L)	Production
A	201	1.23	9B94	ABF0	CD23	2F39	A571	1st Mass Prod.
B	202	1.44	33BE	2E1B	00C5	7330	E7F9	August Prod.'97

For European 3rd Language

A2255587	File No. (A225exx)	Version	Total C.SUM	SUM (OH)	SUM (OL)	SUM (1H)	SUM (1L)	Production
A	301	1.44	D106	F2A8	4FC6	CD50	8940	1st Mass Prod.

Model: AD1-E	Date: 15-Oct-97	No: 41
--------------	-----------------	--------

For the China Version

A2255586	File No. (A225cxx)	Version	Total C.SUM	SUM (OH)	SUM (OL)	SUM (1H)	SUM (1L)	Production
A	01	1.23	FD76	933E	5C23	67C0	A353	1st Mass Prod.
B	02	1.42	A51B	C542	D6A2	0C23	6979	September Prod. '97

For the Taiwan Version

A2255584	File No. (A225txx)	Version	Total C.SUM	SUM (OH)	SUM (OL)	SUM (1H)	SUM (1L)	Production
A	01	1.23	0603	CF1A	54ED	74EA	AD16	1st Mass Prod.
B	02	1.42	F868	27F5	6104	69F5	AD64	September Prod. '97

Symptom corrected	US	EU/ ASIA	EU2	EU3	China	Taiwan
For PTT Approval 1. Dial pulses from the other terminal were detected as a ringing signal. (France) 2. Busy tone sometimes cannot be detected. It is solved by using two frequencies , 400 Hz and 900 Hz. (New Zealand) 3. The interval between the dial pulses is out of specification. *Specification : 1000 ms. (New Zealand)	-	B	B	A	B	B
Received files cannot be printed out from the HDD. When a small amount of data (less than 2 kbytes) is received and the communication is finished before writing to the HDD is finished, the data is not completely written to the HDD.	B	B	B	A	B	B
In ISDN G3 mode, when a call comes from a PSTN G3 machine, the fax number stored in Quick Dial 01 is displayed for a few seconds instead of the called terminal identification.	B	B	B	A	B	B
Only for the Netherlands Dial tone cannot be detected. When the dial tone frequency lower limit ( PSTN: Address 480406~7, PABX: Address 480419~A ) is less than 255HZ, this problem may occur. This problem happens with software version 1.29 or higher.	-	B	B	A	B	B

Model: AD1-E	Date: 15-Oct-97	No: 41
--------------	-----------------	--------

A2255581	A225-01	A225-06	A225-07	A225-08
B	A7567090071~	AN67090001~	9A47090001~	L025709146~

A2255582	A225-02	A225-03	A225-04	A225-09	A225-10
B	A7567081811~	A7567092653~	A7567083005~	A7567093083~	AN97100001~

Model: ISDN Option		Date: 30-Nov-97	No: Multi - 006
Subject: US National ISDN		Prepared by: H.Kamiya	
From: IPP Business Division Technical Service Dpt.			
Classification:	<input type="checkbox"/> Troubleshooting	<input type="checkbox"/> Part information	<input type="checkbox"/> Action required
	<input type="checkbox"/> Mechanical	<input type="checkbox"/> Electrical	<input checked="" type="checkbox"/> Service manual revision
	<input type="checkbox"/> Paper path	<input type="checkbox"/> Transmit/receive	<input type="checkbox"/> Retrofit information
	<input type="checkbox"/> Other (      )		

This technical bulletin informs of the settings required when a machine is connected to the US National ISDN network

Models: CFO, CGO, LHO, FX4, ADAM

- **Subscriber Number**

Input the subscriber number given by the telephone company at :

- 1.G4 SUBSCRIBER NO.1 (MAIN)
- 2.G3 SUBSCRIBER NO.1 (MAIN)

- **SPID Number (Service Profile Identification Number)**

Input the SPID number given by the telephone company at :

- 1.G4 SUBSCRIBER NO.2 (Sub)
- 2.G3 SUBSCRIBER NO.2 (Sub)

Note: Input a " \_ " (pause) before the SPID number.

- **G4 Internal Switches**

SW No.	Bit	Setting	Definition
SW11	Bit1	0: Dynamic TEI	Type of TEI used (Layer 2) (Default)
SW13	Bit2	1: Yes	Attachment of calling party number (L3 SET UP)
	Bit5	1: Yes	Attachment of channel information element (L3 CONN)
SW14	Bit0	1: Speech	ISDN G3 information transfer capability (L3)
	Bit5	1: Keypad facility	Called ID mapping (L3)
SW15	Bit7	1: On	Transmission of STAT in reply to STAT_ENQ received in the U0 state.
SW19	Bit0	1: Permanent	Permanence of the link (L2)
	Bit2	1: On	SPID procedure (L2)
	Bit3	1: On	G4 SPID procedure (L2)

**Note: After completing a G4 service mode operation, turn off the machine and turn it back on to make the new settings take effect.**

RC	RE	ASIA	
*			

Model: ISDN Option		Date: 15-Dec-97	No: 46
Subject: US National ISDN		Prepared by: K.Hattori	
From: IPP Business Division Technical Service Dpt.			
Classification:	<input type="checkbox"/> Troubleshooting	<input type="checkbox"/> Part information	<input type="checkbox"/> Action required
	<input type="checkbox"/> Mechanical	<input type="checkbox"/> Electrical	<input checked="" type="checkbox"/> Service manual revision
	<input type="checkbox"/> Paper path	<input type="checkbox"/> Transmit/receive	<input type="checkbox"/> Retrofit information
	<input type="checkbox"/> Other (      )		

This bulletin informs the settings required when the machine is connected to the US National ISDN network

Models: ADAM

- **Subscriber Number**

Input the subscriber number given by the telephone company at :

- 1.G4 SUBSCRIBER NO.1 (MAIN)
- 2.G3 SUBSCRIBER NO.1 (MAIN)

- **SPID Number (Service Profile Identification Number)**

Input the SPID number given by the telephone company at :

- 1.G4 SUBSCRIBER NO.2 (Sub)
- 2.G3 SUBSCRIBER NO.2 (Sub)

Note: Input a " \_ " (pause) before the SPID number.

- **G4 Internal Switches**

SW No.	Bit	Setting	Definition
SW11	Bit 1	0: Dynamic TEI	Type of TEI used (Layer 2) (Default)
SW13	Bit 2	1: Yes	Attachment of calling party number (L3 SET UP)
	Bit 5	1: Yes	Attachment of channel information element (L3 CONN)
SW14	Bit 0	1: Speech	ISDN G3 information transfer capability (L3)
	Bit 5	1: Keypad facility	Called ID mapping (L3)
SW15	Bit 7	1: On	Transmission of STAT in reply to STAT_ENQ received in the U0 state.
SW19	Bit 0	1: Permanent	Permanence of the link (L2)
	Bit 2	1: On	SPID procedure (L2)
	Bit 3	1: On	G4 SPID procedure (L2)

**Note: After completing a G4 service mode operation, turn off the machine and turn it back on to make the new settings take effect.**

## RTB Correction

Reissue date: **15-Dec-97**

The items in bold italic have been corrected or added.

Model: AD1		Date: 15-Dec-97	No: 14C
Subject: ROM History (AD1-FAX Option)		Prepared by: K.Ugaeri	
From: QAC 2nd Field Information Dept.			
Classification:	<input type="checkbox"/> Troubleshooting	<input type="checkbox"/> Part information	<input type="checkbox"/> Action required
	<input type="checkbox"/> Mechanical	<input type="checkbox"/> Electrical	<input type="checkbox"/> Service manual revision
	<input type="checkbox"/> Paper path	<input type="checkbox"/> Transmit/receive	<input checked="" type="checkbox"/> Retrofit information
	<input type="checkbox"/> Other ( )		

Firmware history for the AD1-Fax option.

### USA Model

A1945581	File No. (A194uxx)	Version	Total C.SUM	SUM (OH)	SUM (OL)	SUM (1H)	SUM (1L)	Production
C	03	1.23	DD95	CB2A	27F0	BD19	72A5	1st Mass Prod.
D	04	1.29	E6D7	83C2	E9BD	47BC	7F1A	November Prod.'96
E	05	1.38	EAAE	A99A	5C74	919A	5A3A	December Prod.'96
F	06	1.48	5029	5D2A	E457	1FF3	4ED2	March Prod.'97
G	07	1.58	2AEF	27EO	FD88	286A	E367	May Prod.'97
H	08	1.77	43BO	3357	84BC	EAA2	C5F4	August Prod.'97

### European/Asian Model

A1945582	File No. (A194exx)	Version	Total C.SUM	SUM (OH)	SUM (OL)	SUM (1H)	SUM (1L)	Production
B	02	1.23	3A44	0A20	FC8A	691F	FEBA	1st Mass Prod.
C	03	1.29	3270	D0F9	39CD	F1E6	19A3	November Prod.'96
D	04	1.38	3745	FA2F	B98C	C966	E8B9	December Prod.'96
E	05	1.48	3745	FA2F	B98C	C966	E8B9	March Prod.'97
F	06	1.58	8D00	FFBE	C502	1BB4	55FE	May Prod.'97
(G)	07t	1.78	C19B	E4F1	FF0B	9B9F	3290	Temporary
G	07	1.79	C2A4	E4F2	FF14	9B9F	3290	August Prod.'97
<b>H</b>	<b>08</b>	<b>1.80</b>	<b>A450</b>	<b>E271</b>	<b>3B61</b>	<b>930F</b>	<b>E8EF</b>	<b>October Prod.'97</b>



Model: AD1	Date: 15-Dec-97	No: 14C
------------	-----------------	---------

### European 2nd Language

A1945585	File No. <i>(A1940xx)</i>	Version	Total C.SUM	SUM (OH)	SUM (OL)	SUM (1H)	SUM (1L)	Production
A	01	1.38	F398	E170	B392	56E5	EB06	December Prod.'97
B	02	1.48	E08A	B674	46C1	DDFC	29C9	March Prod.'97
C	03	1.58	5494	87A5	28B5	B595	F1DF	May Prod.'97
(D)	04t	1.78	77E2	2CD4	372E	23DD	8FB4	Temporary
D	04	1.79	3D4C	2F88	6AFD	121C	2E4F	August Prod.'97
<b>E</b>	<b>05</b>	<b>1.80</b>	<b>A63A</b>	<b>3372</b>	<b>A541</b>	<b>O793</b>	<b>FBF9</b>	<b>October Prod.'97</b>

### For European 3rd Language

A194	File No. A194pxx	Version	Total C.SUM	SUM (OH)	SUM (OL)	SUM (1H)	SUM (1L)	Production
<b>B</b>	<b>02</b>	<b>1.80</b>	<b>385B</b>	<b>D3CF</b>	<b>9ABE</b>	<b>01CD</b>	<b>019D</b>	<b>October Prod.'97</b>

### China

A194	File No. A194pxx	Version	Total C.SUM	SUM (OH)	SUM (OL)	SUM (1H)	SUM (1L)	Production
B	02	1.80	AB3E	C008	DDA3	7D7E	479B	August Prod.'97

### Taiwan

A194	File No. A194txx	Version	Total C.SUM	SUM (OH)	SUM (OL)	SUM (1H)	SUM (1L)	Production
C	03	1.77	D672	7BEE	6E00	46A5	D572	August Prod.'97

Model: AD1	Date: 15-Dec-97	No: 14C
------------	-----------------	---------

Symptoms corrected	US	EU/ ASIA	EU2	EU3	China	Taiwan
<b>The PC FAX (TR29) Option is supported</b>	—	<b>H</b>	<b>E</b>	<b>B</b>	—	—
For PTT Approval 1. Dial pulse signal from the other terminal was detected as a ringing signal. (France) 2. Busy tone sometimes cannot be detected. It is solved by using two frequencies, 400 Hz and 900 Hz. (New Zealand) 3. Interval between the dial pulses is out of specification. *Specification: 1000 ms. (New Zealand)	—	G	D		B	C
Received files cannot be printed out from the HDD. When a small amount of data (less than 2 kbytes) is received and the communication is finished before writing to the HDD is finished, the data is not completely transferred the HDD.	H	G	D		B	C
In ISDN G3 mode, when a call comes from a PSTN G3 machine, the fax number stored in the machine's own Quick Dial 01 is displayed for a few seconds instead of the called terminal identification.	H	G	D		B	C
Only for the Netherlands Dial Tone cannot be detected when the dial tone frequency lower limit ( PSTN: Address 480406 ~ 7, PABX: Address 480419 ~• A ) is less than 255 Hz. This problem happens with ver 1.29 or higher.	H	(G)	(D)		B	C
The Two-in-one Function from HLT to LT size paper is not working.	G	F	C			
New System Switch When closed network is enabled and the ID is not programmed, all reception is disabled (this is a specification). A System Switch has been added to modify this. Switch 1E Bit 4. When closed network is turned on and the ID is not set: 0: Closed network is not available. 1: Only transmission is available.	G	F	C			
New System Switch The display of the remote terminal ID at AI redial: Switch 1E Bit 5 0: RTI/CSI is displayed. 1: The input Fax Number is displayed.	G	F	C			
The LCT and duplex tray are supported.	G	F	C			
The new HDD is supported.	G	F	C			
The NEST card option is supported.	G	F	C			
In the G3or G4 receiving mode, when the memory is full at the first block of any page, a part of the previous page is missing.	F	E	B			
Receiving error in G4 mode (When it is waiting for RSSP (or RSSN) after sending "CONN", the machine displays "communication error" if "DISC" comes. )	F	E	B			

Model: AD1	Date: 15-Dec-97	No: 14C
------------	-----------------	---------

Symptom corrected	US	EU/ ASIA	EU2	EU3	China	Taiwan
The periodical auto service call function does not work.	F	E	B			
For Canada only The number of redials in Canada is changed to meet the CS-03 standard. System switch 0F The setting for Canada (10h) is added. If the above switch is set to 10h, the number of redials (Communication switch 10) is set to 02h.	—					
For the Netherlands only Marketing Requirments 1. Dialling method default setting: PD changed to DTMF (User switch 1A/bit 0.1 changed to 0.1) 2. Default setting of Transmission mode: Memory Tx changed to Immediate Tx (User switch 00/bit 6 changed to 1) 3. International Access code : 00 changed to FF	—	E	B			
For Austria only Marketing Requirments 1. Dialling method default setting: PD changed to DTMF (User switch 1A/bit 0.1 changed to 0.1) 2. Default setting of Transmission mode : Memory Tx changed to Immediate Tx (User switch 00/bit 6 changed to 1) 3. Number of redials : 5 changed to 10 (Communication switch 10/bit 0-4) 4. Redial interval in Memory Transmission: 5 min. changed to 1 min. (Communication switch 12/bit 0-7)	—	E	B			
For New Zealand only The ringing detection time is changed. NCU parameters 07 & 0.8 : 010 changed to 015	—	E	B			
For Australia only Tx time of 2100 Hz is changed from 2.7 s to 3.5 s.	—	E	B			
When the handset is picked up during ringing signal detection, the reception is disconnected but the reception job occasionally remains in the machine. In this case, the display does not go to "Handset Mode" even if the handset is picked up, or "line is busy" is displayed when directx is made from the ADF.	E	D	A			
In manual tx mode with the handset, the operator presses the Start key and hangs up the handset at the same time. Then the transmission job remains in the machine. In this case, transmission and reception are both not available or "Handset mode" is always displayed. This problem can be solved by picking up the handset again.	E	D	A			
The chain dial function cannot be used in on-hook or handset mode.	E	D	A			
When the machine stores a letter-size original using image rotation, the compression does not succeed, then the job is reset if the original is a complicated image scanned in photo mode.	E	—	—			

## MB Correction

Reissue date: **15-Dce-97**

The items in bold Italics have been corrected or added.

Model: AD1-E		Date: 15-Dec-97	No: 41A
Subject: ROM History (AD1-E-FAX Option)		Prepared by: K.Ugaeri	
From: QAC Field Information Dept.			
Classification:	<input type="checkbox"/> Troubleshooting	<input type="checkbox"/> Part information	<input type="checkbox"/> Action required
	<input type="checkbox"/> Mechanical	<input type="checkbox"/> Electrical	<input type="checkbox"/> Service manual revision
	<input type="checkbox"/> Paper path	<input type="checkbox"/> Transmit/receive	<input checked="" type="checkbox"/> Retrofit information
	<input type="checkbox"/> Other ( )		

Firmware history for the AD1-E Fax option.

USA Model

A225581	File No. (A225uxx)	Version	Total C.SUM	SUM (OH)	SUM (OL)	SUM (1H)	SUM (1L)	Production
A	01	1.23	8BFA	1E6A	0E7F	8BEA	297B	1st Mass Prod.
B	02	1.42	5263	428B	6E43	AC89	D020	August Prod.'97

European/Asian Model

A225582	File No. (A225exx)	Version	Total C.SUM	SUM (OH)	SUM (OL)	SUM (1H)	SUM (1L)	Production
A	01	1.23	69B7	4A50	03D5	A175	A0E2	1st Mass Prod.
B	02	1.44	B8D4	1860	628D	C933	C347	August Prod.'97
<b>C</b>	<b>03</b>	<b>1.48</b>	<b>A559</b>	<b>17AD</b>	<b>588A</b>	<b>CC68</b>	<b>37CF</b>	<b>October Prod.'97</b>

European 2nd Language

A225585	File No. (A225oxx)	Version	Total C.SUM	SUM (OH)	SUM (OL)	SUM (1H)	SUM (1L)	Production
A	01	1.23	9B94	ABF0	CD23	2F39	A571	1st Mass Prod.
B	02	1.44	33BE	2E1B	00C5	7330	E7F9	August Prod.'97
<b>C</b>	<b>03</b>	<b>1.48</b>	<b>A73F</b>	<b>2F37</b>	<b>3F7E</b>	<b>6A45</b>	<b>EBC1</b>	<b>October Prod.'97</b>

European 3rd Language

A225587	File No. (A225pxx)	Version	Total C.SUM	SUM (OH)	SUM (OL)	SUM (1H)	SUM (1L)	Production
A	01	1.44	D106	F2A8	4FC6	CD50	8940	1st Mass Prod.
<b>B</b>	<b>02</b>	<b>1.48</b>	<b>3A07</b>	<b>F808</b>	<b>870A</b>	<b>C4D6</b>	<b>D4FD</b>	<b>October Prod.'97</b>

Model: AD1-E	Date: 15-Dec-97	No: 41A
--------------	-----------------	---------

### China Version

A2255586	File No. (A225cxx)	Version	Total C.SUM	SUM (OH)	SUM (OL)	SUM (1H)	SUM (1L)	Production
A	01	1.23	FD76	933E	5C23	67C0	A353	1st Mass Prod.
B	02	1.42	A51B	C542	D6A2	0C23	6979	September Prod. '97

### Taiwan Version

A2255584	File No. (A225txx)	Version	Total C.SUM	SUM (OH)	SUM (OL)	SUM (1H)	SUM (1L)	Production
A	01	1.23	0603	CF1A	54ED	74EA	AD16	1st Mass Prod.
B	02	1.42	F868	27F5	6104	69F5	AD64	September Prod. '97

Symptom corrected	US	EU/ ASIA	EU2	EU3	China	Taiwan
<b>The PC FAX (TR29) option is supported.</b>	–	<b>C</b>	<b>C</b>	<b>B</b>	–	–
For PTT Approval 1. Dial pulses from the other terminal were detected as a ringing signal. (France) 2. Busy tone sometimes cannot be detected. It is solved by using two frequencies , 400 Hz and 900 Hz. (New Zealand) 3. The interval between the dial pulses is out of specification. *Specification : 1000 ms. (New Zealand)	–	B	B	A	B	B
Received files cannot be printed out from the HDD. When a small amount of data (less than 2 kbytes) is received and the communication is finished before writing to the HDD is finished, the data is not completely written to the HDD.	B	B	B	A	B	B
In ISDN G3 mode, when a call comes from a PSTN G3 machine, the fax number stored in Quick Dial 01 is displayed for a few seconds instead of the called terminal identification.	B	B	B	A	B	B
Only for the Netherlands Dial tone cannot be detected. When the dial tone frequency lower limit ( PSTN: Address 480406~7, PABX: Address 480419~A ) is less than 255HZ, this problem may occur. This problem happens with software version 1.29 or higher.	–	B	B	A	B	B

Model: AD1-E	Date: 15-Dec-97	No: 41A
--------------	-----------------	---------


A2255581	A225-01	A225-06	A225-07	A225-08
B	A7567090071~	AN67090001~	9A47090001~	L025709146~

A2255582	A225-02	A225-03	A225-04	A225-09	A225-10
B	A7567081811~	A7567092653~	A7567083005~	A7567093083~	AN97100001~
<b>C</b>	<b>TBA</b>	<b>TBA</b>	<b>TBA</b>	<b>TBA</b>	<b>TBA</b>

## RTB Correction

Reissue date: **15-Jan-98**

The items in bold italic have been corrected or added.

Model: AD1		Date: 15-Dec-97	No: 14D
Subject: ROM History (AD1-FAX Option)		Prepared by: K.Ugaeri	
From: QAC 2nd Field Information Dept.			
Classification:	<input type="checkbox"/> Troubleshooting	<input type="checkbox"/> Part information	<input type="checkbox"/> Action required 
	<input type="checkbox"/> Mechanical	<input type="checkbox"/> Electrical	<input type="checkbox"/> Service manual revision
	<input type="checkbox"/> Paper path	<input type="checkbox"/> Transmit/receive	<input checked="" type="checkbox"/> Retrofit information
	<input type="checkbox"/> Other ( )		

AD1-Fax option firmware history.

USA

A1945581	File No. (A194uxx)	Version	Total C.SUM	SUM (OH)	SUM (OL)	SUM (1H)	SUM (1L)	Production
C	03	1.23	DD95	CB2A	27F0	BD19	72A5	1st Mass Prod.
D	04	1.29	E6D7	83C2	E9BD	47BC	7F1A	November Prod.'96
E	05	1.38	EAAE	A99A	5C74	919A	5A3A	December Prod.'96
F	06	1.48	5029	5D2A	E457	1FF3	4ED2	March Prod.'97
G	07	1.58	2AEF	27EO	FD88	286A	E367	May Prod.'97
H	08	1.77	43BO	3357	84BC	EAA2	C5F4	August Prod.'97

Europe/Asia

A1945582	File No. (A194exx)	Version	Total C.SUM	SUM (OH)	SUM (OL)	SUM (1H)	SUM (1L)	Production
B	02	1.23	3A44	0A20	FC8A	691F	FEBA	1st Mass Prod.
C	03	1.29	3270	D0F9	39CD	F1E6	19A3	November Prod.'96
D	04	1.38	3745	FA2F	B98C	C966	E8B9	December Prod.'96
E	05	1.48	<b>ABC7</b>	<b>EEBA</b>	<b>0F84</b>	<b>A0D9</b>	<b>0943</b>	March Prod.'97
F	06	1.58	8D00	FFBE	C502	1BB4	55FE	May Prod.'97
(G)	07t	1.78	C19B	E4F1	FF0B	9B9F	3290	Temporary
G	07	1.79	C2A4	E4F2	FF14	9B9F	3290	August Prod.'97
H	08	1.80	A450	E271	3B61	930F	E8EF	October Prod.'97